



WC - Madison

Tissue holder with cover - platinum matte

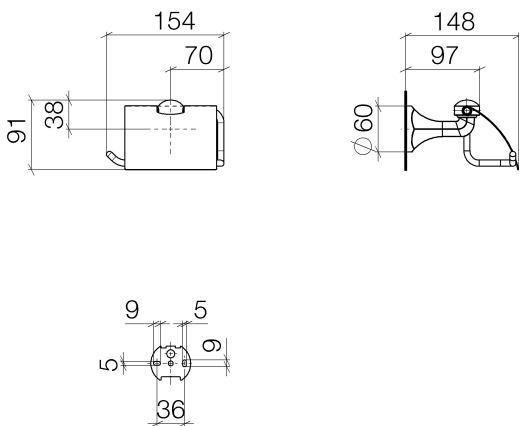
Article number: 83 510 361-06

- Width 5-3/4"
- Height 3-1/2"
- 5-7/8" Projection



platinum matte

## Dimensional drawing



All dimensions in mm / inch = mm x 0,0394



WC - Madison

Tissue holder with cover - platinum matte

Article number: 83 510 361-06



## WC - Madison

Tissue holder with cover - platinum matte

Article number: 83 510 361-06

### Other surface finishes



polished chrome  
83 510 361-00



platinum  
83 510 361-08



Durabronze  
83 510 361-09



Dark Brass matte  
83 510 361-16



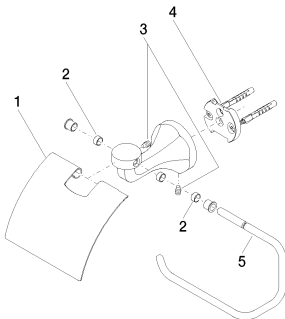
Dark Bronze matte  
83 510 361-17



Dark Platinum matte  
83 510 361-99

More custom finish options are available via special production (xTra Service). Please see our finish matrix for availability and pricing or contact a Dornbracht representative.

### Spare parts list



| Number | Item Number | Designation | Number of units |
|--------|-------------|-------------|-----------------|
|--------|-------------|-------------|-----------------|